

STAINLESS STEEL 304 PRESS FIT FITTINGS

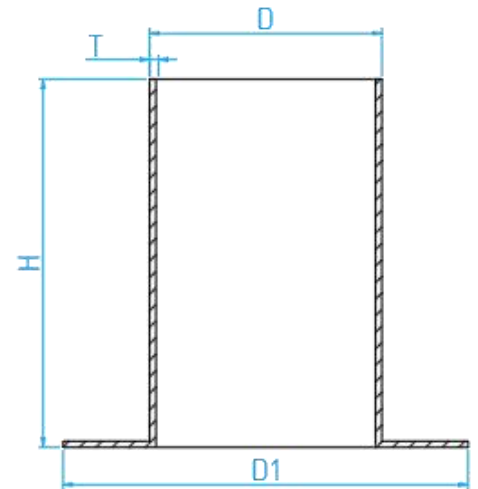
COMPLY WITH BSEN1254-2: 1998



A Product of the nPressGuard® Solution

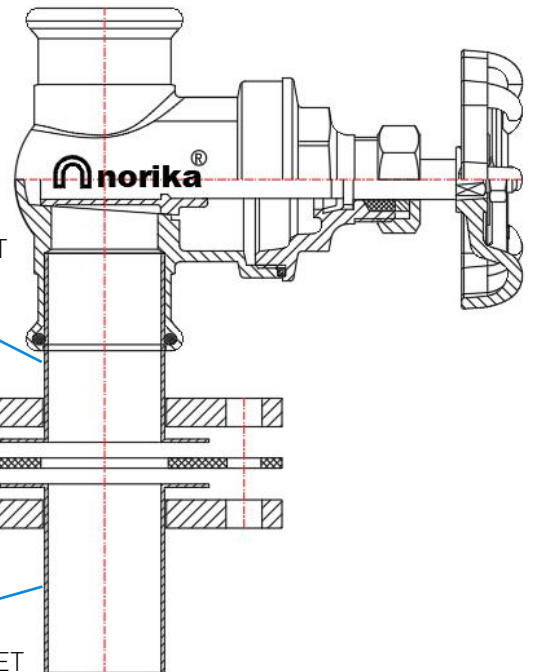


FLANGE SOCKET



CROSS SECTIONAL VIEW

- SS304 FLANGE SOCKET
SKU:SSPFNFP
- DUCTILE IRON FLANGE
SKU: DIFMBL/DIFBSPT/
DIFSO-THK15
- EPDM RUBBER GASKET
SKU: RFGN-PUB
- DUCTILE IRON FLANGE
SKU: DIFMBL/DIFBSPT/
DIFSO-THK15
- SS304 FLANGE SOCKET
SKU:SSPFNFP



INSTALLATION ASSEMBLY

DIMENSIONS

| SKU | DN (mm) | D (mm) | D1 (mm) | H (mm) | T (mm) | WEIGHT (kg) | PCS/CTN |
|------------|---------|--------|---------|--------|--------|-------------|---------|
| SSPFNFP042 | 42 | 42.07 | 97 | 90 | 1.5 | 0.265 | 30 |
| SSPFNFP050 | 54 | 54.07 | 107 | 100 | 1.5 | 0.352 | 45 |
| SSPFNFP065 | 67 | 66.75 | 127 | 140 | 1.8 | 0.635 | 19 |
| SSPFNFP080 | 76 | 76.30 | 142 | 150 | 2.0 | 0.780 | 14 |
| SSPFNFP100 | 108 | 108.25 | 160 | 190 | 2.0 | 1.180 | 8 |